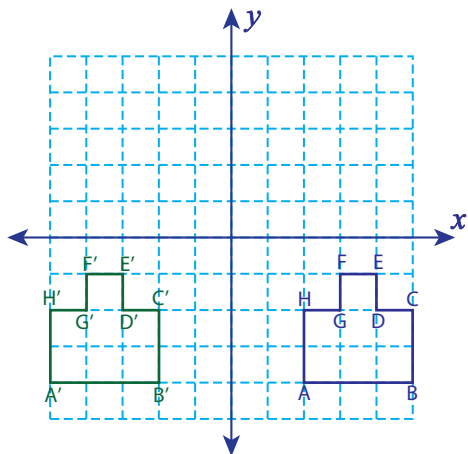


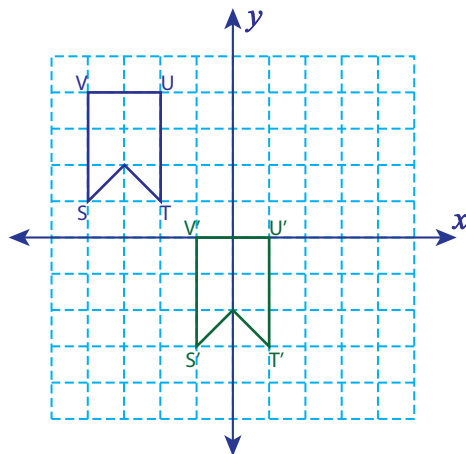
Translation of Shapes

Write a rule to describe each translation.

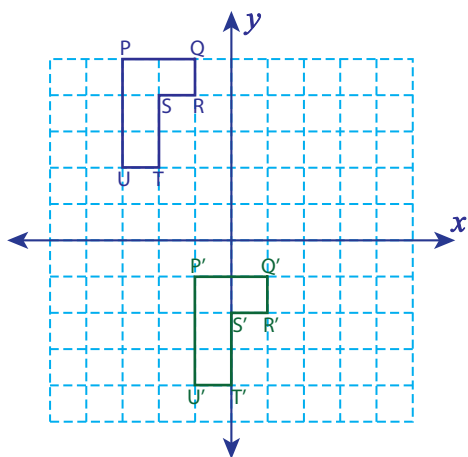
1)



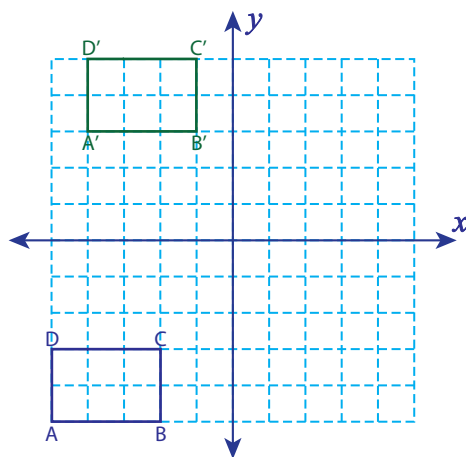
2)



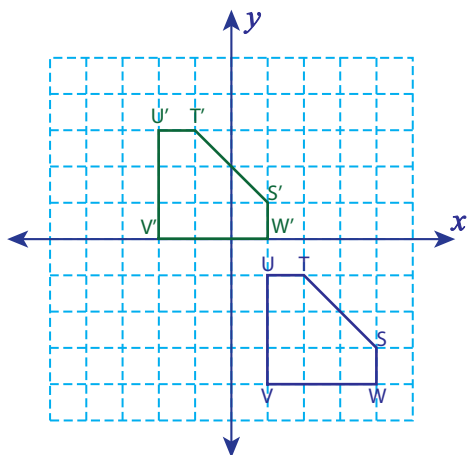
3)



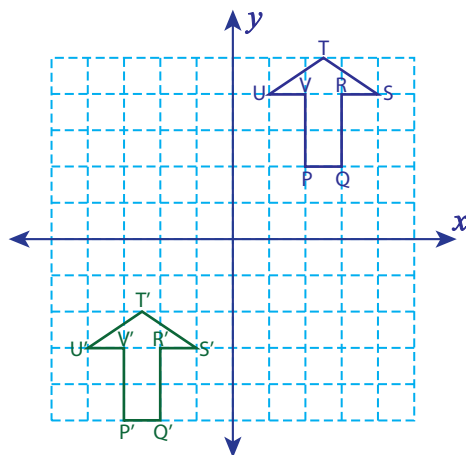
4)



5)



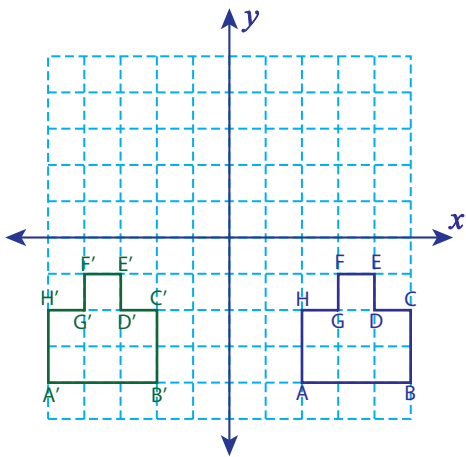
6)



Translation of Shapes

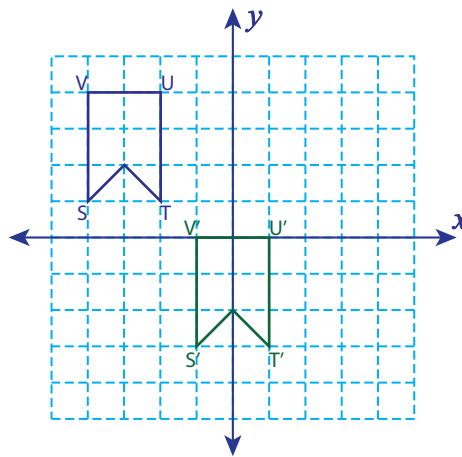
Write a rule to describe each translation.

1)



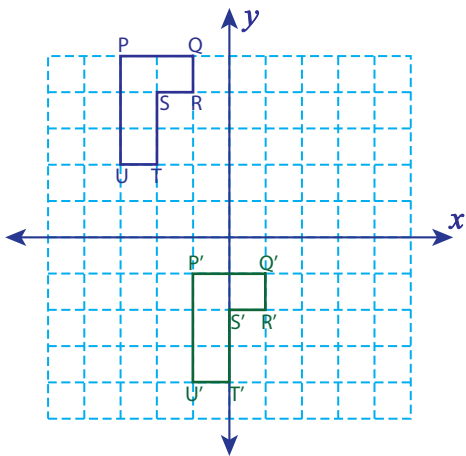
7 units left

2)



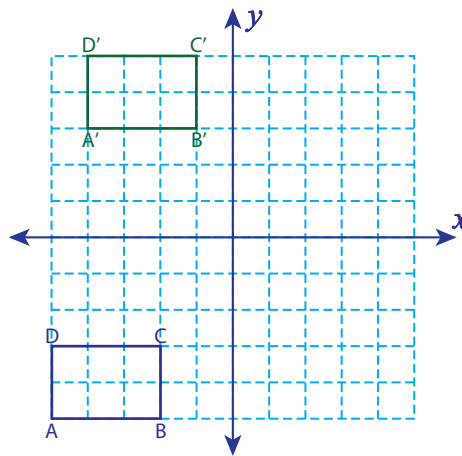
3 units right and 4 units down

3)



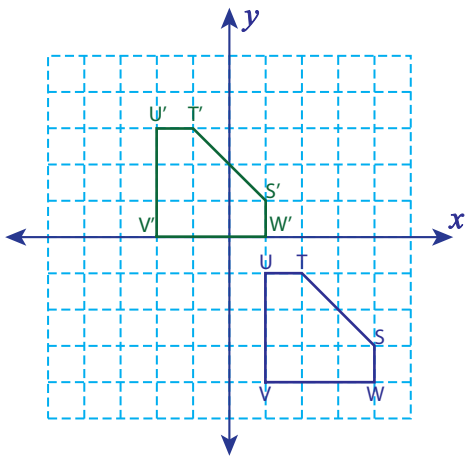
6 units down and 2 units right

4)



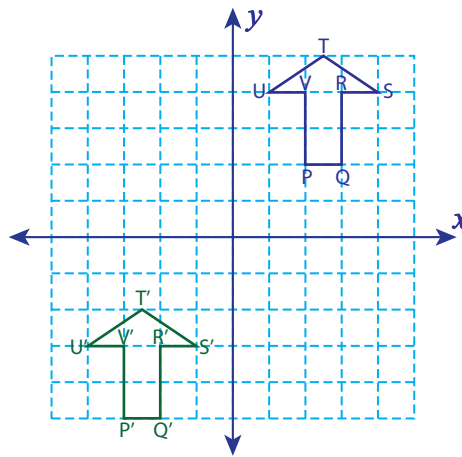
8 units up and 1 unit right

5)



4 units up and 3 units left

6)



5 units left and 7 units down